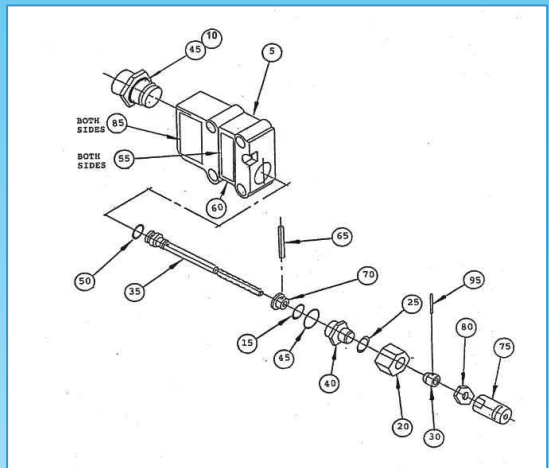
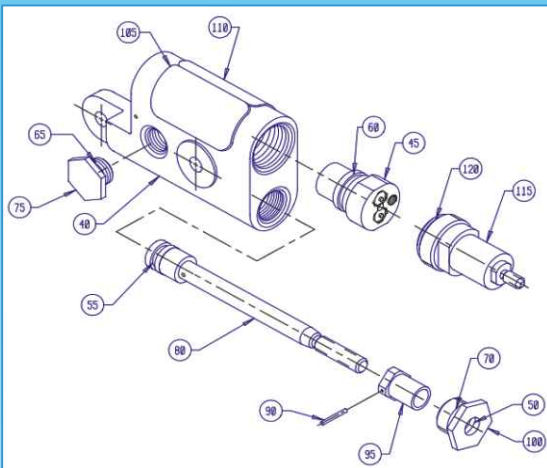


Fly 767's? Want to reduce cost on hard-lived components? Want OEM approved Quality?

GLOBAL SUPPORT FOR B767 LATCH RELEASE/SNUBBING ACTUATORS ON THE ESCAPE SLIDE DOOR ASSEMBLY

Part Numbers: **3125400-10/11** (Latch Release Actuator)
5262100 (Door Opening/Snubbing Actuator)
OEM: **Goodrich (UTAS)**

These safety critical components work in unison to facilitate the rapid door release and inflation of the over-wing escape slides in case of emergency. Both units contain ballistic cartridge kits that have a mandatory 10 year 'hard life' and therefore must be changed before exceeding this limit.



- AJW Technique is pleased to have been nominated as the fully approved and designated maintenance center for these units by UTC Aerospace Systems (UTAS). Working directly with the product OEM has allowed AJW to leverage competitive sub-assembly pricing combined with full technical support to ensure CMM conformance as well as repeatable quality.
- The AJW Group is well placed to service all operators of the 767 commercial platform seeking innovative support options. Collectively there are 6 of the life limited units per aircraft therefore offering a comprehensive service level for full fleets can deliver cost effective peace of mind.

